

JT50

Over-wrapping Machine

The JT50 produces up to 42 wrapped products per minute. It is designed to meet and exceed our customer's packaging needs.

It is manufactured to meet industrial specification. The JT50 Overwrapping Machine is made in a compact design to meet your space and budget constrains.

The JT50 is a user-friendly, robust and reliable low maintenance solution to overwrapping. It can be operated by a single operator with the optional collection table to reduce labor cost.

Replication Technology, Inc.
Tel: (707) 255-8800, Fax: (707) 255-8889

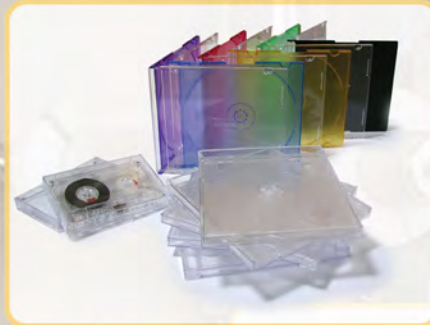
Specifications:

Machine Dimension: 1200 x 830 x 1430 mm

Power: 110 VAC Single Phase

Motor: 2Hp

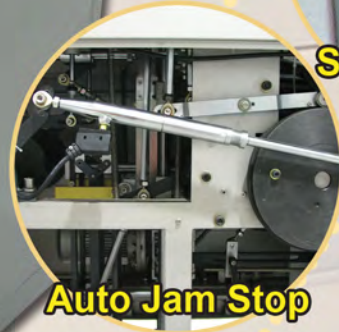
Speed: About 40 pcs/min.



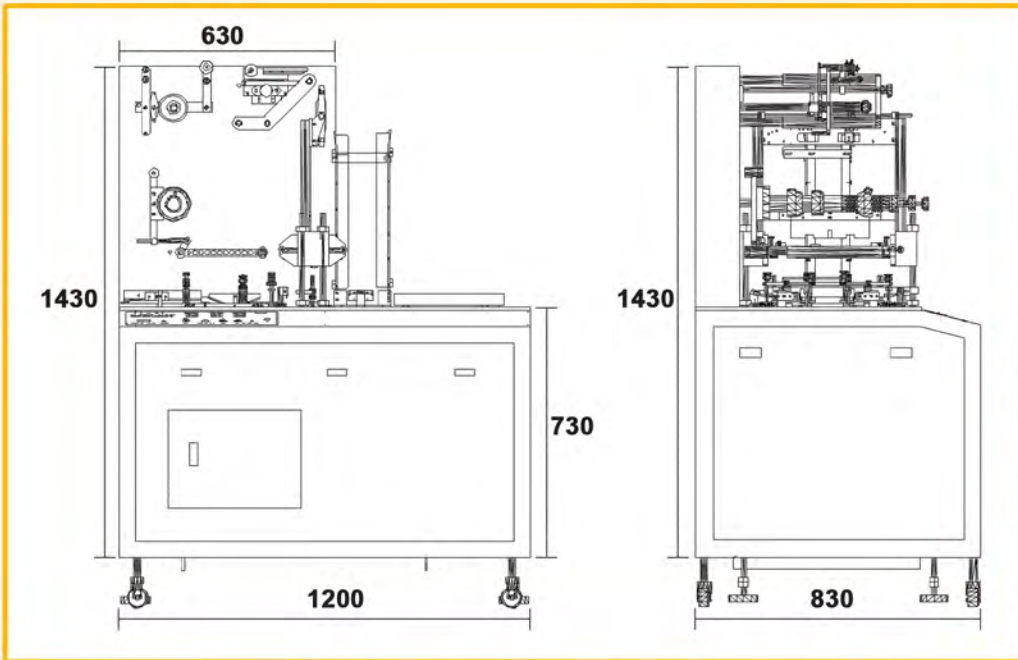
► Special Enhancements



Speed Control



Auto Jam Stop



JT50

Over-wrapping Machine

The JT50 produces up to 40 wrapped products per minute. It is designed to meet and exceed our customer's packaging needs.

It is manufactured to meet industrial specification. The JT50 Overwrapping Machine is made in a compact design to meet your space and budget constrains.

The JT50 is a user-friendly, robust and reliable low maintenance solution to overwrapping. It can be operated by a single operator with the optional collection table to reduce labor cost

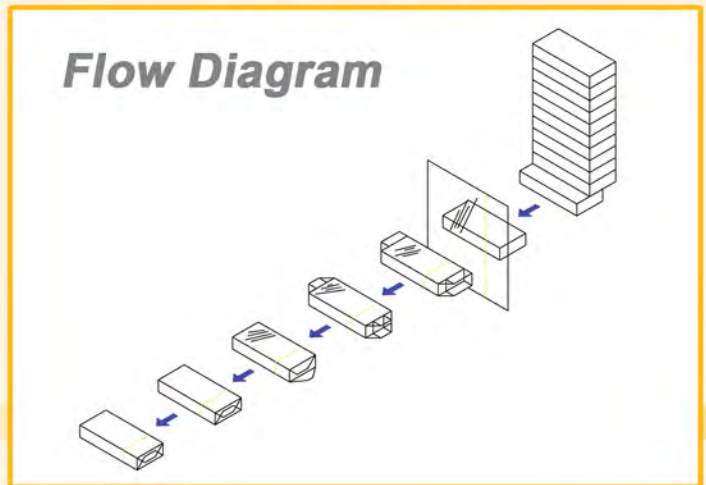
Specifications:

Machine Dimension: 1200 x 830 x 1430 mm

Power: 110 VAC Single Phase

Motor: 2Hp

Speed: About 40 pcs/min.



BC300 Collection Table

For collecting products from overwrapping machine



Specification:

Machine Dimension: 1200 x 650 x 900 mm

Power: 110 VAC Single Phase

Pneumatic System: 4 bars

Speed: 50 pcs/min.

Capacity (standard): 100 pcs for CD/DVD boxes